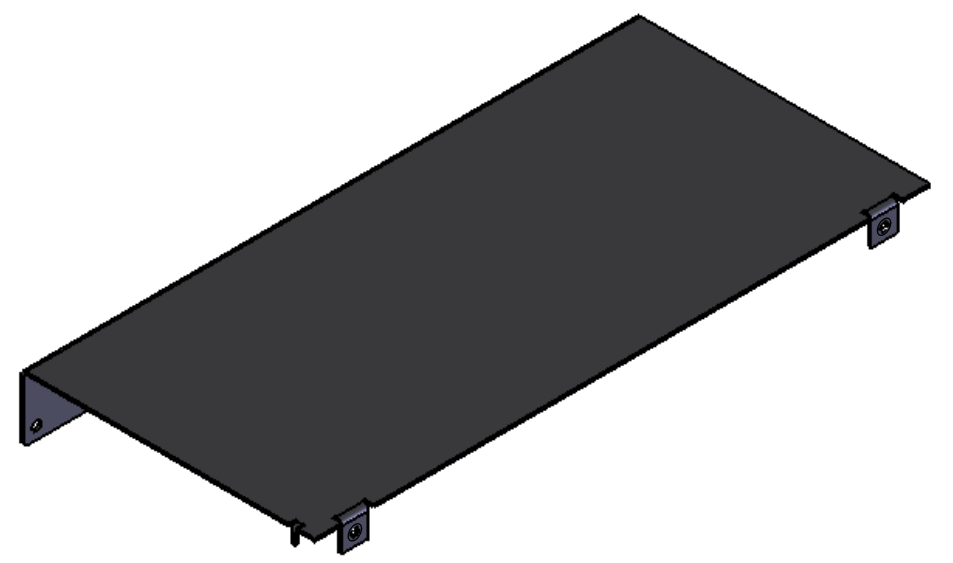


SECTION A-A

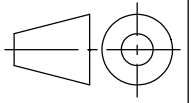



1. Unspecified R  $\leq 1$   
 2. Unspecified tolerances: DIN7168/FINE  
 except p.3:

Tolerance		
Nominal		IT12
>	$\leq$	
6	30	0.1
30	120	0.3
120	315	0.4
315	1000	0.6
1000	2000	1.0

External: -IT12  
 Internal: +IT12  
 Others:  $\pm IT12/2$

3. Hole coordinates with unspecified tolerances  
 Hole pattern  $\Phi \Phi 0,3$  for all coordinative dim-s;  
 countersunks -  $\Phi \Phi 0,1$

Do not scale drawing			Finish: Anodizing black	Scale 1:2	Mass: NN
			Date	Name	Material: AlMg3
Drawn.	29.03.07	Bergmanis		Description: RB192-case-roof	
Check.				Drawing code: RB-192R	
Approv.				A3	
				sheet 1 of 1	
Printed: 2007.05.21.					